



Electric Front Loaders

for Ceramics



Content



Front Loaders KE-L Series up to 1280°C

4–5



Front Loaders KE-N Series up to 1300°C

6–7



Front Loaders KE-S Series up to 1320°C

8

Front Loaders KE-S+ Series up to 1350°C

9

Front Loaders KE-SH Series up to 1400°C

9

Compare our Front Loaders

10



Control Units and Equipment

11



Delivery and Set-up Service

12

We at **Helmut ROHDE GmbH** can pride ourselves of 25 years of experience in the development and manufacturing of kilns and machines for the processing and firing of ceramics. Over the last years we have extended our product range by a multitude of kilns for all types of heat treatment. We already launched our first front-loading kiln series in 1992.

Already then some of our technical solutions proved to be trend setters in the construction of front-loading kilns. Let us only introduce two points:

1. The novel ceiling construction. A combination of high-quality industrial ceramic material and our resilient light firebricks - unique on the market and protected by petty patent for Helmut ROHDE GmbH. This construction design eliminates repair of arched ceilings. Also the inconvenient contamination often the case with conventional ceiling constructions is prevented, as the entire ceiling of our front loaders is joined mortar-free.

2. The entire frame is equipped with an in-frame ventilation. This results in corrosion protection and reduces the surface temperatures – by no means a standard in kiln construction, neither back then nor today.

During the development of many advancements since those days, we have always pursued our aim to provide our customers with a high-quality front-loading kiln which is as efficient, safe and long-lasting as possible – and we believe we have achieved this aim time and again.

With this brochure we would like to give you an overview of our current and extensive range of front loader models. The product spectrum ranges from the KE-L series beginner's model over the KE-N and KE-S professional series to the KE-S+ and KE-SH series for applications up to 1400°C – these models are often used in industrial production.

We supply the entire European market with the help of a network of qualified specialized retailers – helping us to provide individual solutions and an excellent local service.

Just ask us for a competent ROHDE partner near you.

Electric Front Loaders KE Series

Stainless-steel door frame



Corrosion protection and low surface temperature due to in-frame ventilation



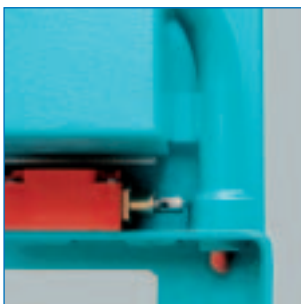
Tiltable fixture for control unit



Control unit connector and micro-fuse easily accessible



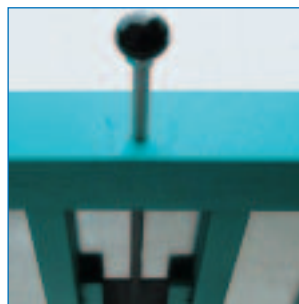
Exhaust air flap at rear side, operated from front



Door safety switch and door connection cable in protected position



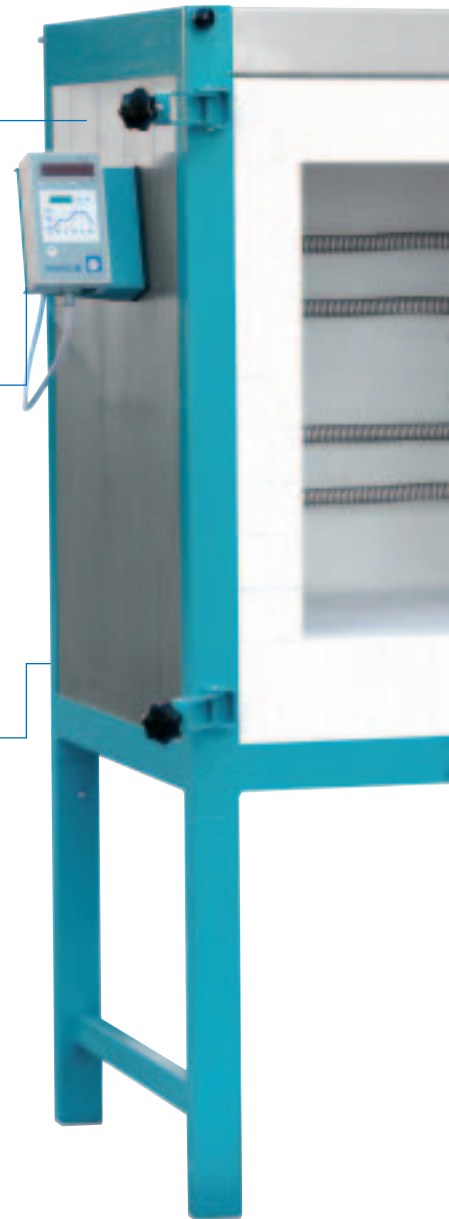
Adjustable door catch, lockable



Air supply slide at bottom, operated from front



Detachable leg pairs

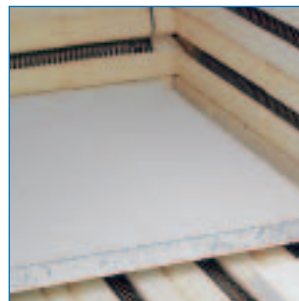




Resic ceiling supports
System "ROHDE"



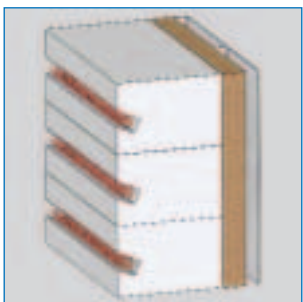
Elastic door sealing
for a long-lasting fit



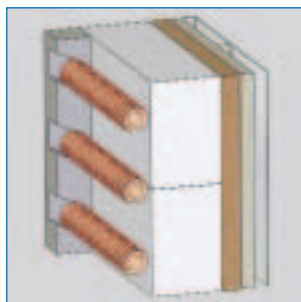
Floor heating covered
by SIC panels



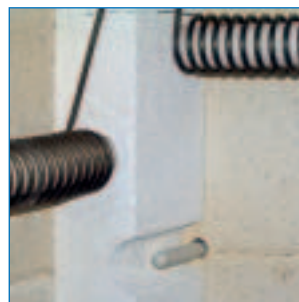
Heating elements re-
cessed (KE-L and KE-N)



3-layer wall structure
KE-L and KE-N series



4-layer wall construction
KE-S / S+ / SH series



Thermocouple in protec-
ted position



Heating elements
mounted on rods
(KE-S / S+ / SH)

Electric Front Loaders KE-L Series up to 1280°C



The ROHDE front loader KE-L series is a kiln range consisting of seven front-loading kilns with 3-side heating with a volume of 55 to 250 litres.

The heat radiation is effected from the two side walls and the floor and results in a even heat distribution throughout the entire firing chamber.

The KE-L front loader series is the kiln for public institutions like schools, kindergardens and therapy centres. It provides you with the advantages of a front-loading kiln and good value for money all at the same time. This kilns series also performs ideally in hobby and decoration applications and with casting techniques.

Of course we have also incorporated the unique features of all ROHDE front loaders into this kiln series: The entire steel construction, for example, is equipped with an in-frame ventilation; it prevents corrosion and at the same time reduces surface temperatures.

We also apply our System "ROHDE" ceiling construction – tried and tested for more than 15 years – in the KE-L series.

The combination of ceiling supports made from high-quality industrial ceramics and precision-fitted insulation bricks prevents particles falling from the ceiling onto the goods.

The KE-L front loader series can be extended by a multitude of options. For a little surcharge you can obtain additional equipment such as air supply and exhaust slides, as well as a number of other features.

Your local qualified retailer will be happy to help you. Please contact us if you do not know a ROHDE partner in your area yet.



Model	T _{max}	Internal Dimensions (mm)			External Dimensions (mm)			Output	Supply Required	Wall-socket	Bats	Weight Netto
Capacity	°C	w	d	h	W	D	H	kW	A	Plug	w x d in mm	kg
KE 55 L	1280	350	350	450	670	850	1560	3,6	16	Schuko	300x300	230
KE 70 L (230V)	1100	380	400	490	700	890	1600	3,6	16	Schuko	330x350	250
KE 70 L	1280	380	400	490	700	890	1600	5,4	12	CEE 16 A	330x350	250
KE 100 L	1280	430	480	530	750	1000	1700	7,0	16	CEE 16 A	400x370	270
KE 150 L	1280	480	480	680	800	1000	1850	9,0	13	CEE 16 A	440x400	300
KE 200 L	1280	480	640	680	800	1150	1850	11,0	16	CEE 16 A	600x400	330
KE 250 L	1280	540	640	790	860	1150	1900	13,5	20	CEE 32 A	600x500	360



The ROHDE KE-N front loader series comprises of nine models with kiln sizes between 90 and 1060 litres. The heating elements are recessed into the bricks on five sides.

They are thus protected ideally during charging and they emit heat evenly providing for a great heat distribution throughout the firing chamber.

The KE-N front loader series has been designed for workshop and school applications. Recessing the heating elements into grooved bricks enables us to apply very economic production methods, which leads to very attractive pricing. At the same time the firing results can be compared to those of a kiln with heating elements on rods.

Of course we have also incorporated the unique features of all ROHDE front loaders into this kiln series: The entire steel construction, for example, is equipped with an in-frame ventilation with stainless-steel sheets. This prevents corrosion and at the same time reduces surface temperatures.

The insulation consists of two layers. We only use high-quality, reduction resistant insulation bricks in the firing chamber.

We also apply our System "ROHDE" ceiling construction – tried and tested for more than 15 years – in the KE-N series.

The combination of ceiling supports made from high-quality industrial ceramics and precision-fitted insulation bricks prevents particles from falling from the ceiling onto the goods.

Your local qualified retailer will be happy to help you. Please contact us if you do not know a ROHDE partner in your area yet.



Model	T _{max}	Internal Dimensions (mm)			External Dimensions (mm)			Output	Supply Required	Wall-socket	Bats	Weight Netto
Capacity	°C	w	d	h	W	D	H	kW	A	Plug	wxd in mm	kg
KE 90 N	1300	420	480	460	750	950	1510	6,6	10	CEE 16 A	400x370	300
KE 150 N	1300	470	480	680	800	950	1730	9,0	14	CEE 16 A	440x400	360
KE 200 N	1300	470	640	680	800	1110	1730	11,0	16	CEE 16 A	600x400	420
KE 250 N	1300	530	640	740	860	1110	1740	13,5	20	CEE 32 A	600x500	450
KE 330 N	1300	590	720	790	920	1190	1740	16,5	25	CEE 32 A	550x340 (2)	550
KE 480 N	1300	640	780	960	970	1250	1760	22,0	32	CEE 32 A	600x360 (2)	650

Electric Front Loaders KE-S Series



Front Loaders KE-S Series up to 1320°C

Model	T _{max}	Internal Dimensions (mm)			External Dimensions (mm)			Output	Supply Required	Wall-socket	Bats	Weight Netto
Capacity	°C	w	d	h	W	D	H	kW	A	Plug	w x d in mm	kg
KE 100 S	1320	410	470	540	750	970	1640	8,0	12	CEE 16 A	400x370	300
KE 150 S	1320	460	470	690	800	950	1730	10,5	16	CEE 16 A	420x400	380
KE 200 S	1320	460	630	690	800	1110	1730	13,2	20	CEE 32 A	560x400	410
KE 250 S	1320	520	630	770	860	1110	1740	16,5	25	CEE 32 A	560x480	450
KE 330 S	1320	580	710	800	920	1190	1740	22,0	32	CEE 32 A	600X500	530
KE 480 S	1320	630	770	995	970	1250	1760	32,0	47	CEE 63 A	580x350 (2)	620
KE 600 S	1320	710	820	1030	1050	1300	1770	40,0	59	CEE 63 A	370x335 (4)	730
KE 750 S	1320	710	1020	1030	1050	1500	1770	50,0	73	-	475x335 (4)	780
KE 1000 S	1320	910	1005	1145	1250	1490	1890	70,0	100	-	480x435 (4)	1150

The ROHDE KE-S front loader series comprises of nine models with kiln sizes from 100 to 1000 litres in classic construction with heating elements on rods on five sides in three variations: KE-S up to 1320°C, KE-S+ up to 1350°C and KE-SH up to 1400°C.

This design combines maximal robustness and service life with highest operating efficiency.

The insulation consists of three layers. We only use high-quality, reduction resistant insulation bricks in the firing chamber. For the back insulation we count on state-of-the-art insulating materials, which makes this kiln particularly energy efficient.

The KE-S front loader series has been designed for the tough and long-lasting use in professional workshops, although it is also suitable for the daily use in a training environment. Of course we have also incorporated the unique features of

all ROHDE front loaders into this kiln series:

The entire steel construction, for example, is equipped with an in-frame ventilation stainless-steel sheets. This prevents corrosion and at the same time reduces surface temperatures.

We also apply our System “ROHDE” ceiling construction – tried and tested for more than 15 years – in the KE-S series. The combination of ceiling supports made from high-quality industrial ceramics and precision-fitted insulation bricks prevents particles from falling from the ceiling onto the goods. A design which has proved to be trend-setting in kiln construction.

Your local qualified retailer will be happy to help you.
Please contact us if you do not know a ROHDE partner in your area yet.

Front Loaders KE-S+ Series up to 1350°C

Model	T _{max}	Internal Dimensions (mm)			External Dimensions (mm)			Output	Supply Required	Wall-socket	Bats	Weight Netto
Capacity	°C	w	d	h	W	D	H	kW	A	Plug	wxd in mm	kg
KE 100 S+	1350	410	470	535	750	970	1640	8,0	12	CEE 16 A	400x370	310
KE 150 S+	1350	460	470	690	800	950	1730	10,5	16	CEE 16 A	420x400	390
KE 200 S+	1350	460	630	690	800	1110	1730	13,2	20	CEE 32 A	560x400	420
KE 250 S+	1350	520	630	770	860	1110	1740	16,5	25	CEE 32 A	560x480	460
KE 330 S+	1350	580	710	800	920	1190	1740	22,0	32	CEE 32 A	600x500	540
KE 480 S+	1350	630	770	995	970	1250	1760	32,0	47	CEE 63 A	580x350 (2)	630

Front Loaders KE-SH Series up to 1400°C

Model	T _{max}	Internal Dimensions (mm)			External Dimensions (mm)			Output	Supply Required	Wall-socket	Bats	Weight Netto
Capacity	°C	w	d	h	W	D	H	kW	A	Plug	wxd in mm	kg
KE 100 SH	1400	410	470	538	910	1130	1740	10,5	16	CEE 16 A	400x370	440
KE 150 SH	1400	460	470	690	960	1110	1830	15	22	CEE 32 A	420x400	550
KE 200 SH	1400	460	630	690	960	1270	1830	18	27	CEE 32 A	560x400	620
KE 250 SH	1400	520	630	770	1020	1270	1840	24	34	CEE 63 A	560x480	700
KE 330 SH	1400	580	710	800	1080	1350	1840	32	47	CEE 63 A	600x500	740
KE 480 SH	1400	630	770	995	1130	1410	1860	40	59	CEE 63 A	580x350 (2)	800

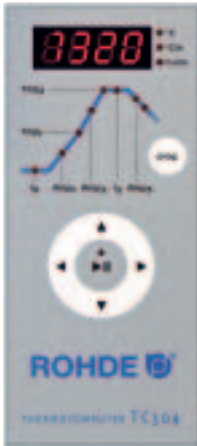
Compare our Front Loaders



Front Loader Series	KE-L	KE-N	KE-S/S+/SH
■ Corrosion protection and low surface temperatures due to in-frame ventilation	●	●	●
■ In-frame ventilation with stainless steel sheets on side walls and door	–	●	●
■ Ceiling sheet: punched metal sheet prevents trapping of heat and moisture	●	●	●
■ Surround heating from five sides for good heat distribution	–	●	●
■ KANTHAL heating elements in protected position – cannot become displaced	●	●	●
■ Floor heating covered and protected with SIC panels	○	●	●
■ Resic ceiling support system “ROHDE” DGM	●	●	●
■ Thermocouple in protected position	●	●	●
■ Stainless steel door frame	●	●	●
■ Door opens wide and easily (ca. 160°), elastic door sealing	●	●	●
■ Central exhaust air socket for exhaust pipe or hose	○	●	●
■ Exhaust air flap at rear side, operated from front side	○	●	●
■ Large, handy door handle	●	●	●
■ Adjustable door catch, lockable	●	●	●
■ Air supply slide for control of air cooling, operated from front side	○	●	●
■ Leg pairs (detachable and easily mountable)	○	●	●
■ Safety and control contactors standard equipment according to VDE	●	●	●
■ Automatic kiln control	●	●	●
■ Kiln with 2- or 3-zone control*	○	○	○
■ Tilttable fixture for control unit	○	●	●
■ Door opens to left (control unit right)	○	○	○
■ 1350°C oder 1400°C Endtemperatur	–	–	○
■ Spyhole in door to monitor firing process	○	○	○
■ Air supply and exhaust air flap control*	○	○	○
■ Cooling system with ventilator	○	○	○
■ Flexible exhaust air hose (Aluminium)	○	○	○
■ Drying rack	○	○	○
■ Furniture frame (for fork lift)	○	○	○
■ Test certificate for quality control	●	●	●
■ CE-certified / GS-certified	●/●	●/●	●/●
■ Maintenance-free, 36 months guarantee (excl. heating elements)	●	●	●

● Standard ○ Optional equipment – Not available *Options only in connection with control unit TC 504 / 507. For detailed configurations, please see valid price list.

Control Units for Front Loaders



Control Unit TC 304

Clearly structured control unit – very easy to operate. Ideal for hobby, simple workshop and school applications.

- 5 firing programs freely selectable
- heating-up time programmable
- 1 soaking time



Control Unit TC 504

Intuitive operating layout with extensive performance spectrum are the trademarks of this control unit especially developed for ROHDE GmbH.

- 10 firing programs freely selectable
- 2 soaking times programmable
- 2- or 3-zone control (optional)
- 1 additional switching output, e.g. for exhaust air flap (optional)

Optional equipment.



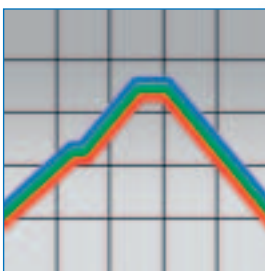
Control Unit TC 507

This control unit is outstanding with regards to greatest possible capability spectrum for almost any application.

- up to 30 firing programs freely selectable
- up to 80 semi-segments
- 2- to 3-zone control (optional)
- 2 additional switching outputs (optional)

Optional equipment.

Optional Equipment for Front Loaders



Multiple-zone control for excellent reproducibility



Spyhole for monitoring seeger cones



Control for air supply and exhaust air flaps



Door opens left



Ventilator for air supply



Drying rack



Furniture rack for fork lift

Our ROHDE Delivery and Set-up Service

We offer a delivery and set-up service especially for the delivery and the setting-up of our front-loading kilns, which our customers may avail of. We have introduced this special all-round service ten years ago. It includes delivery, transport and setting-up of your new kiln in your workshop, which helps to avoid unnecessary costs and additional hiring of specialized companies.

Our specialist service will delivery your kiln safely to almost any place of operation. This is what makes our service so special. Our delivery and setting-up offer is pricely, simple and safe - comprehensive service all from one source! If you wish our setting-up service will also include initial operation and instruction at your workplace.

This service is exclusively offered by ROHDE.

- Transport, delivery and setting-up is carried out by our specialists.
- Full insurance from beginning to end of service.
- Delivery into basement, second floor or through window.
- No problem for the ROHDE Delivery and Set-up Service!
- Just ask us, we will find a solution – promised !
- Please request our service brochure.



Your specialised retailer:

For more information please consult your retailer, visit our website or contact us directly.

Helmut Rohde GmbH

Rosenheimer Straße 89, D-83134 Prutting
Tel.: +49 (0) 80 36/67 49 76-10, Fax: -19
e-Mail: info@rohde-online.net
Internet: www.rohde-online.net

Technical changes and dimensional deviations in the course of further development reserved.